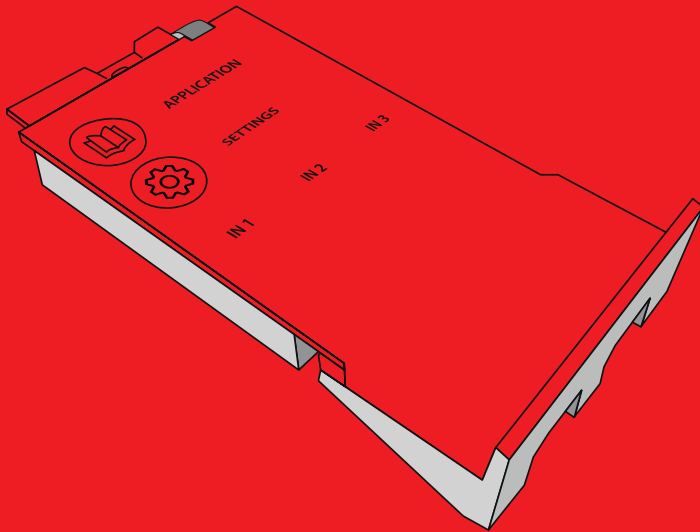
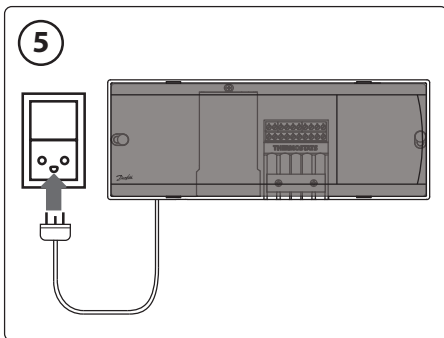
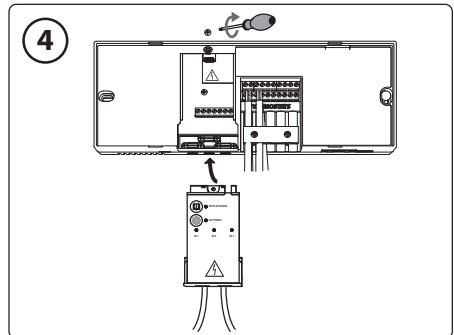
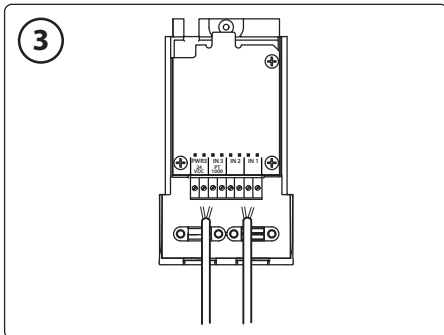
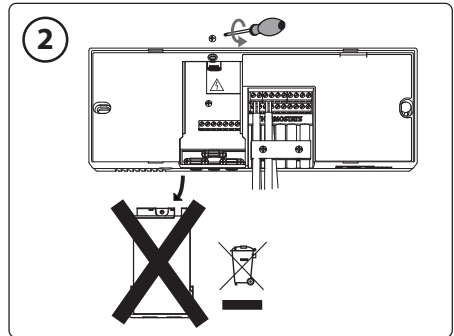
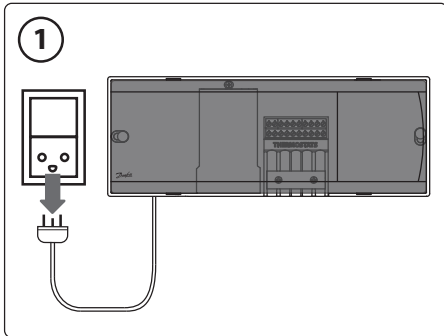


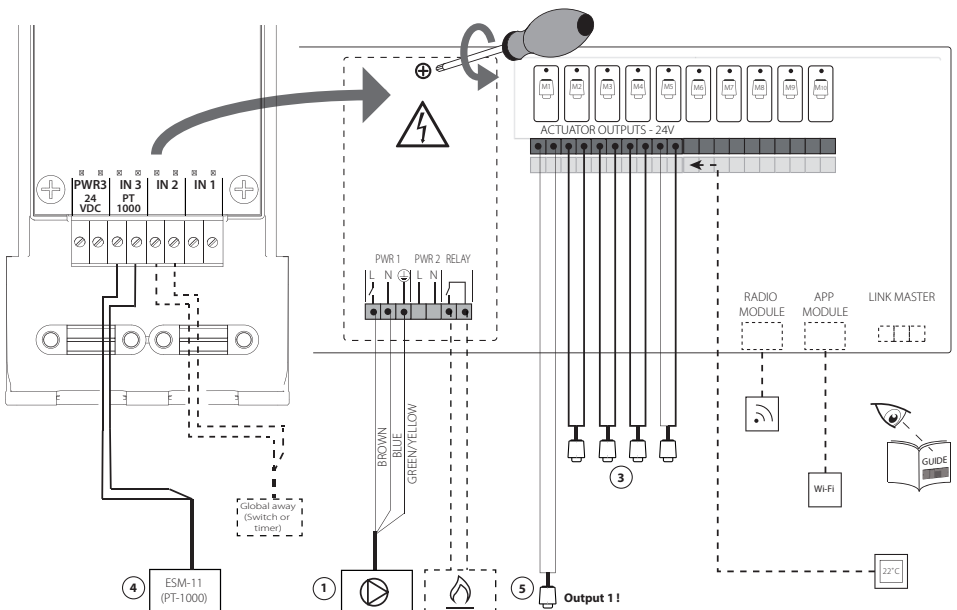
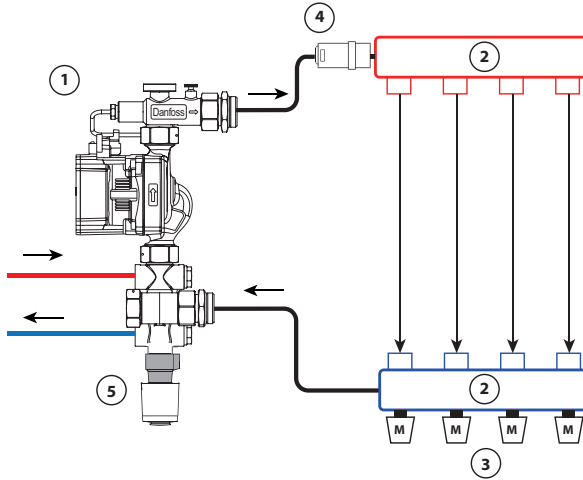
Installations Guide

Expansion Modul für Heatup Smart

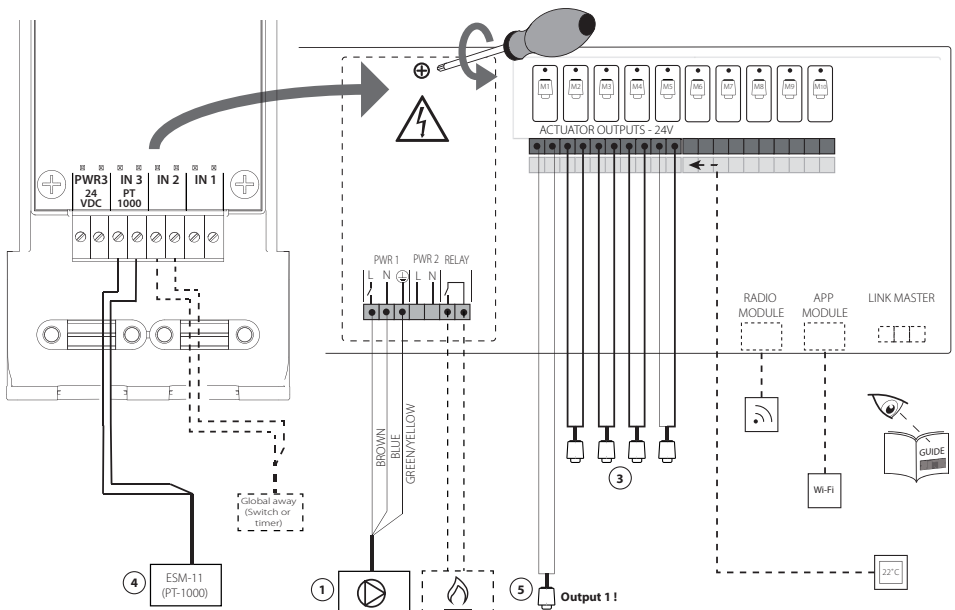
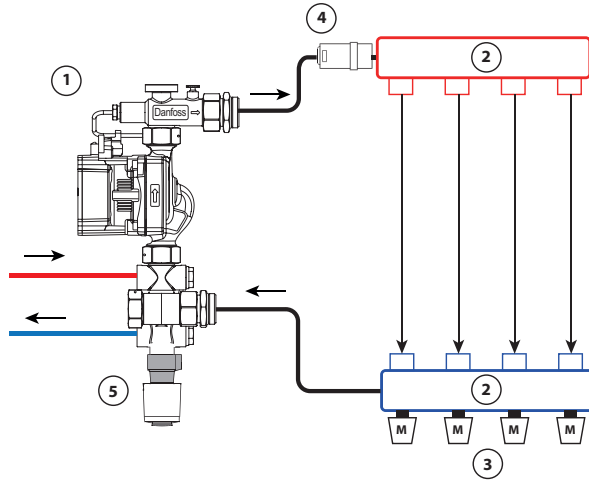




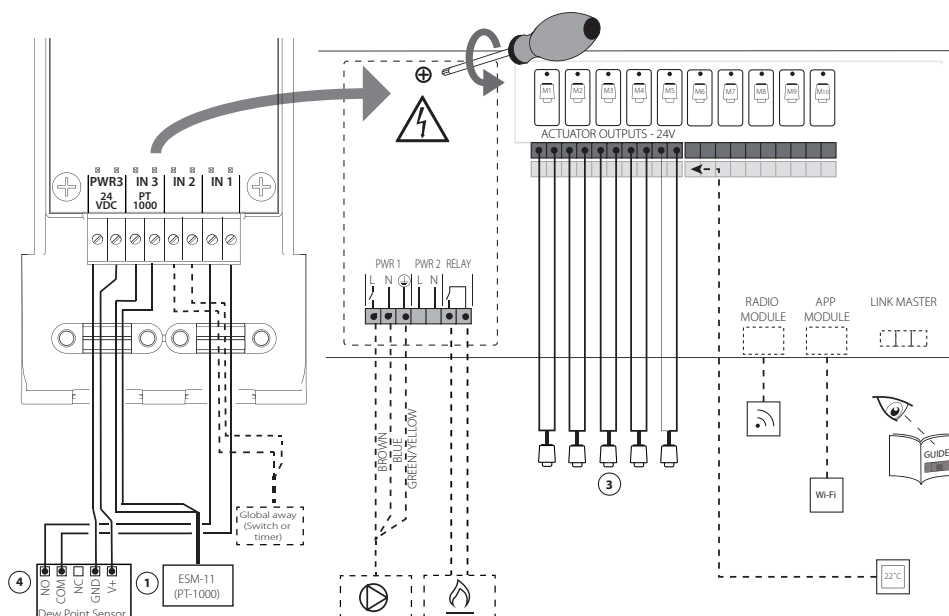
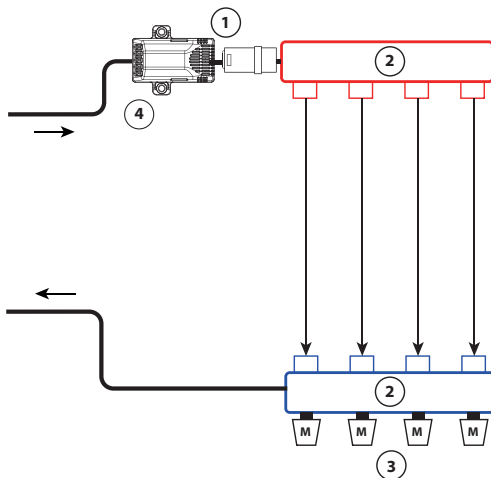
Application 0001



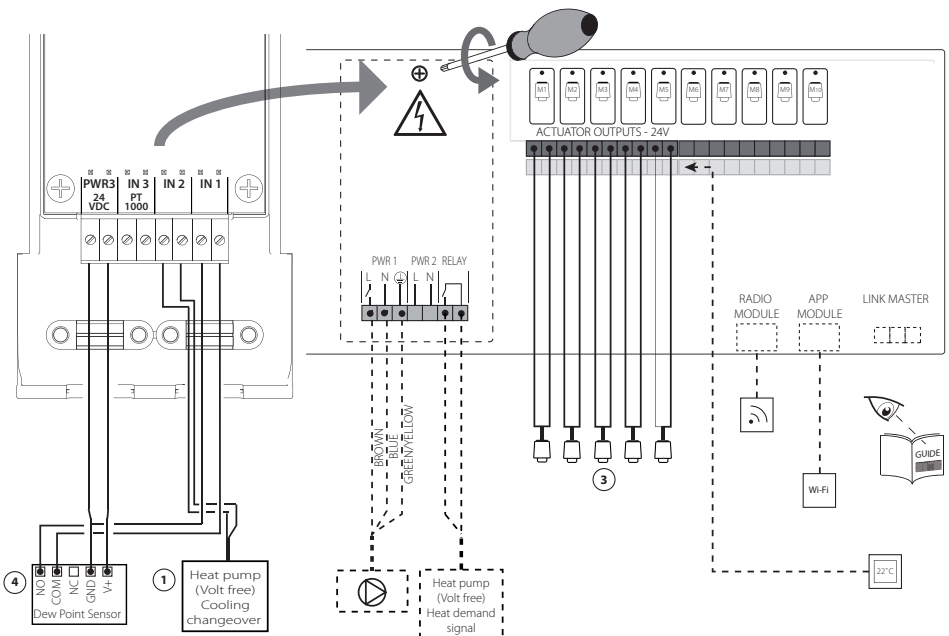
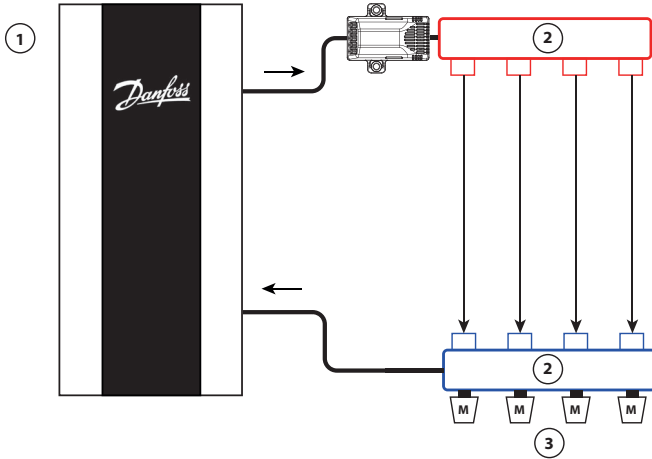
Application 0002



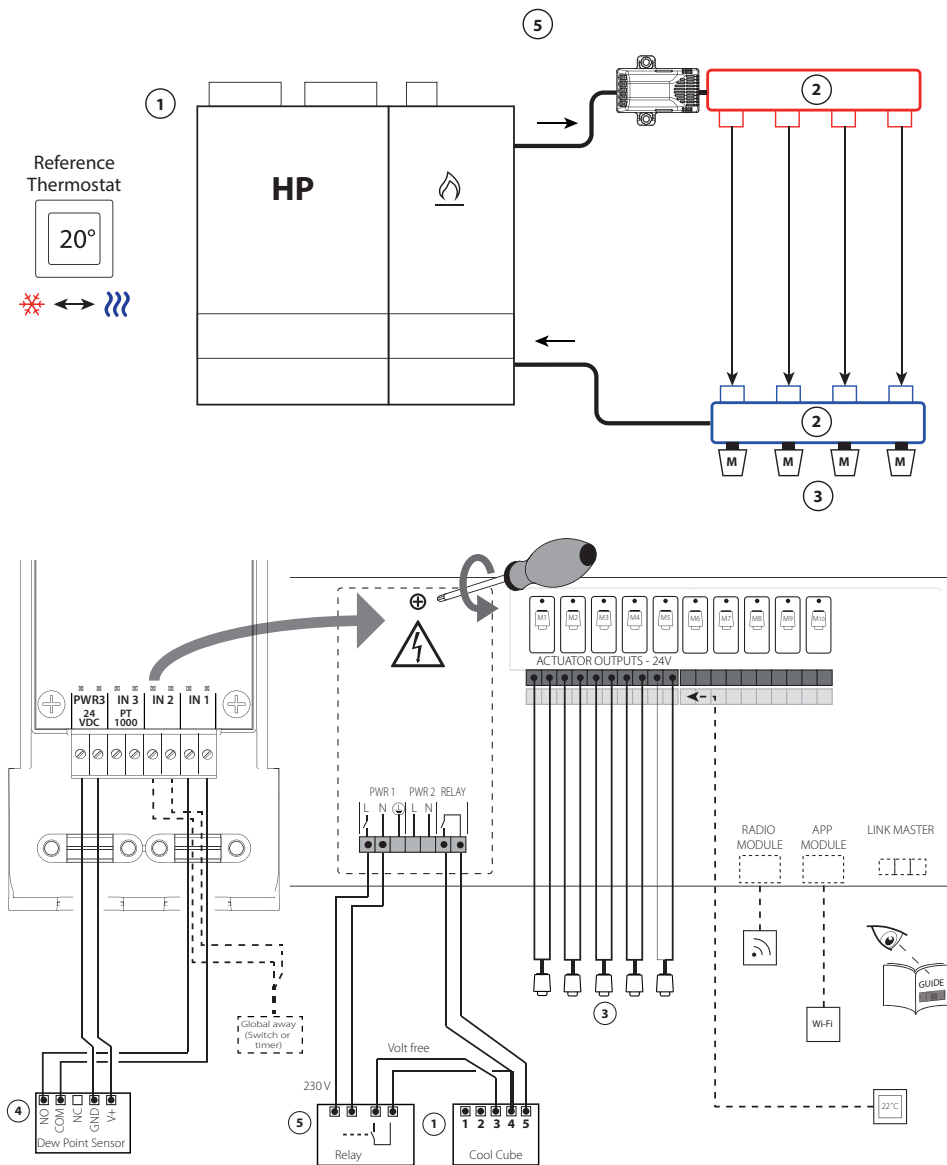
Application 003



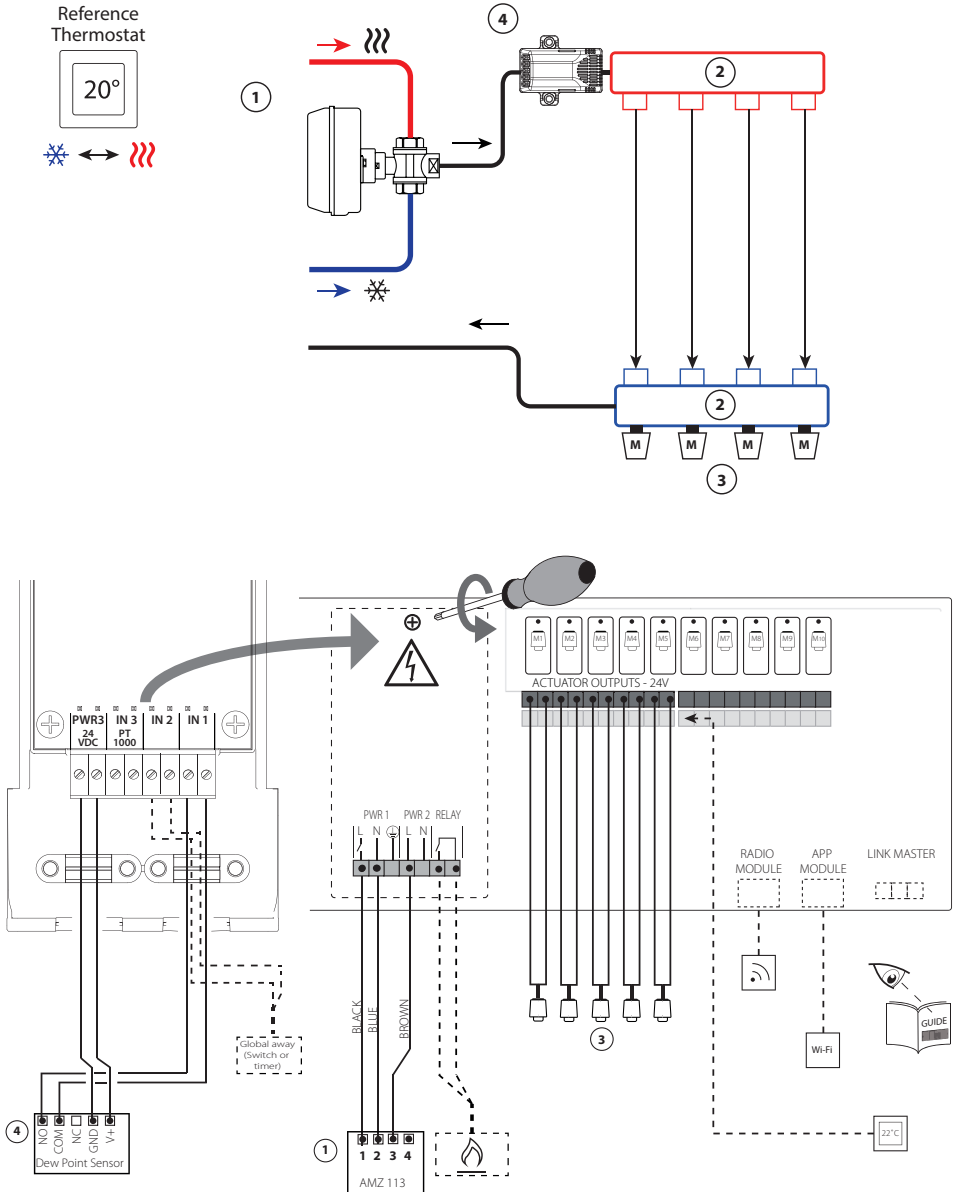
Application 0004



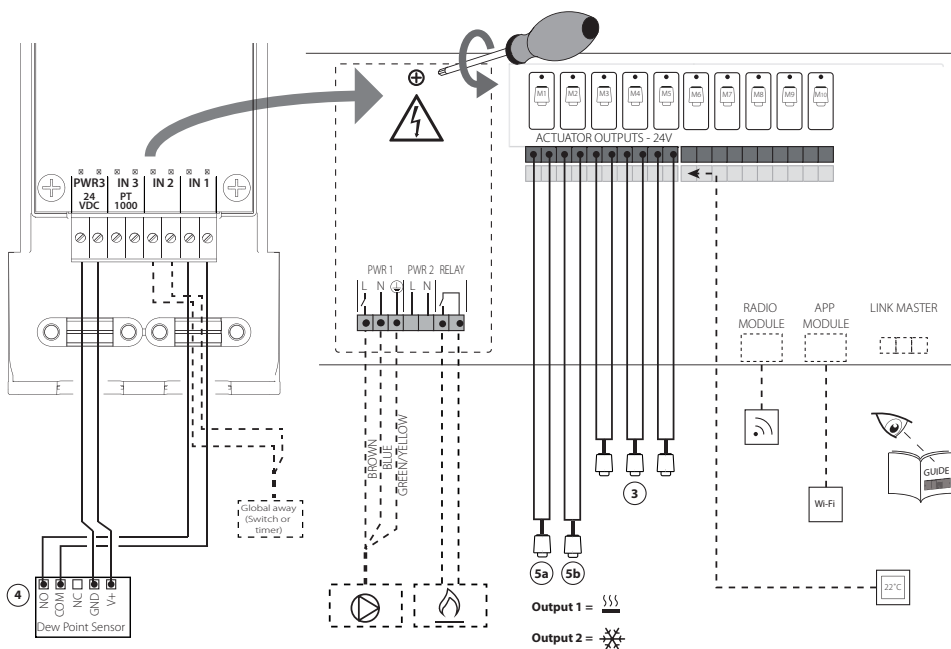
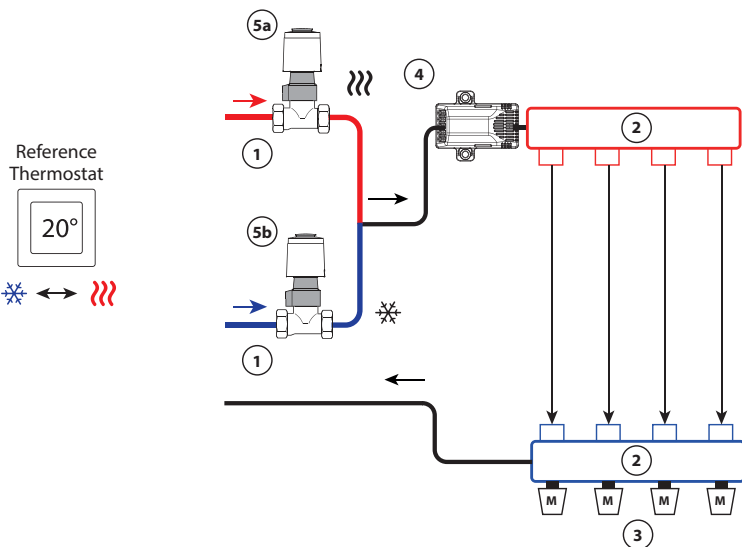
Application 0005



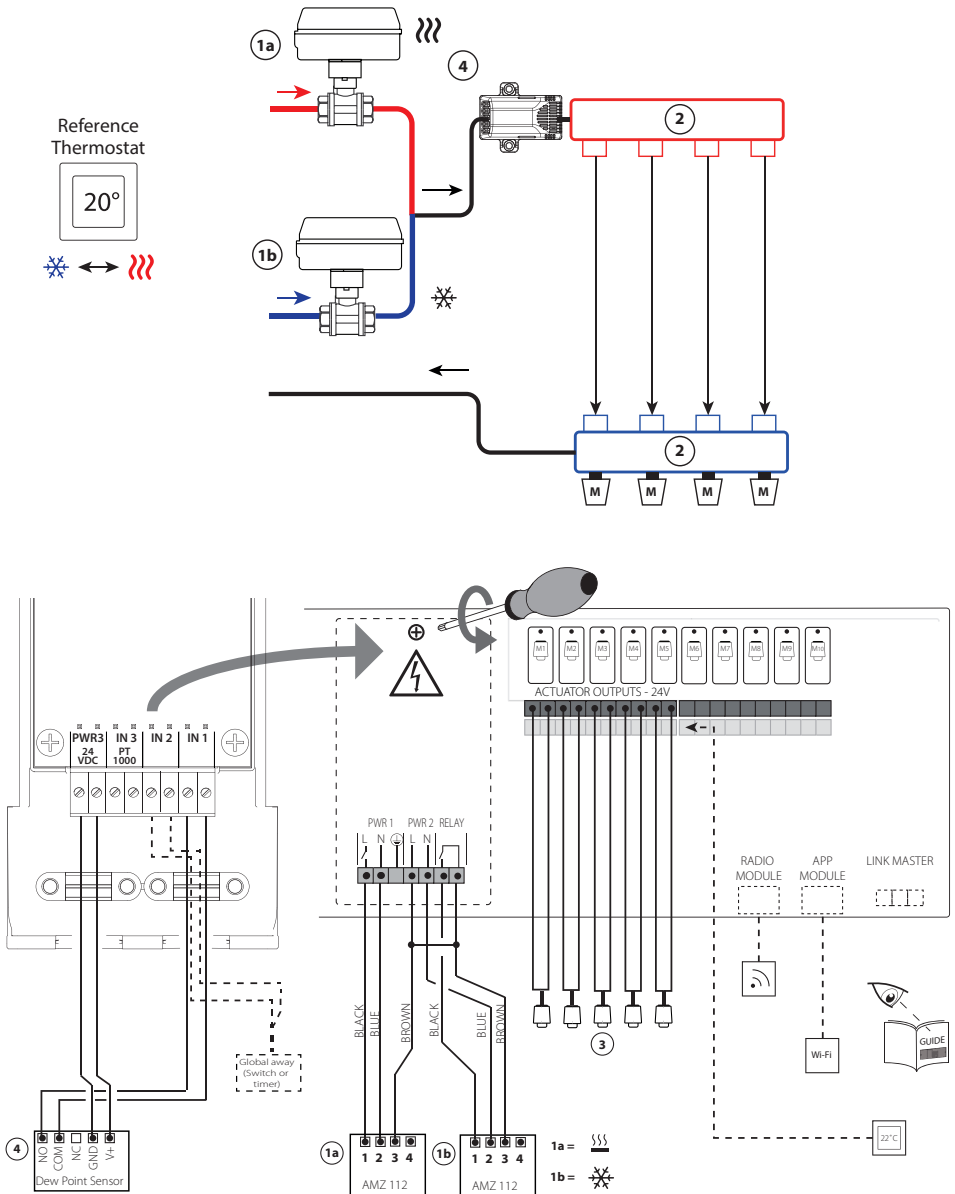
Application 0006



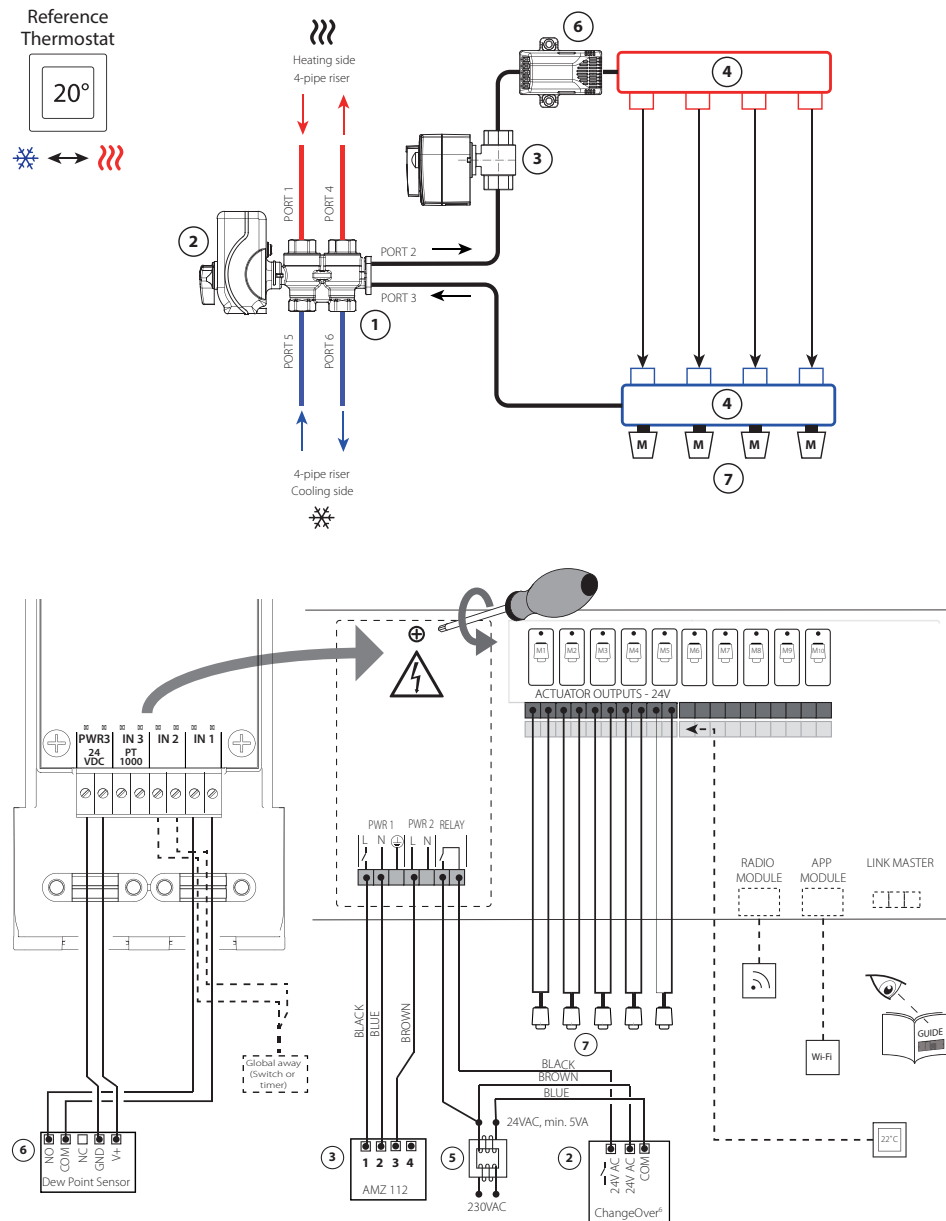
Application 0007



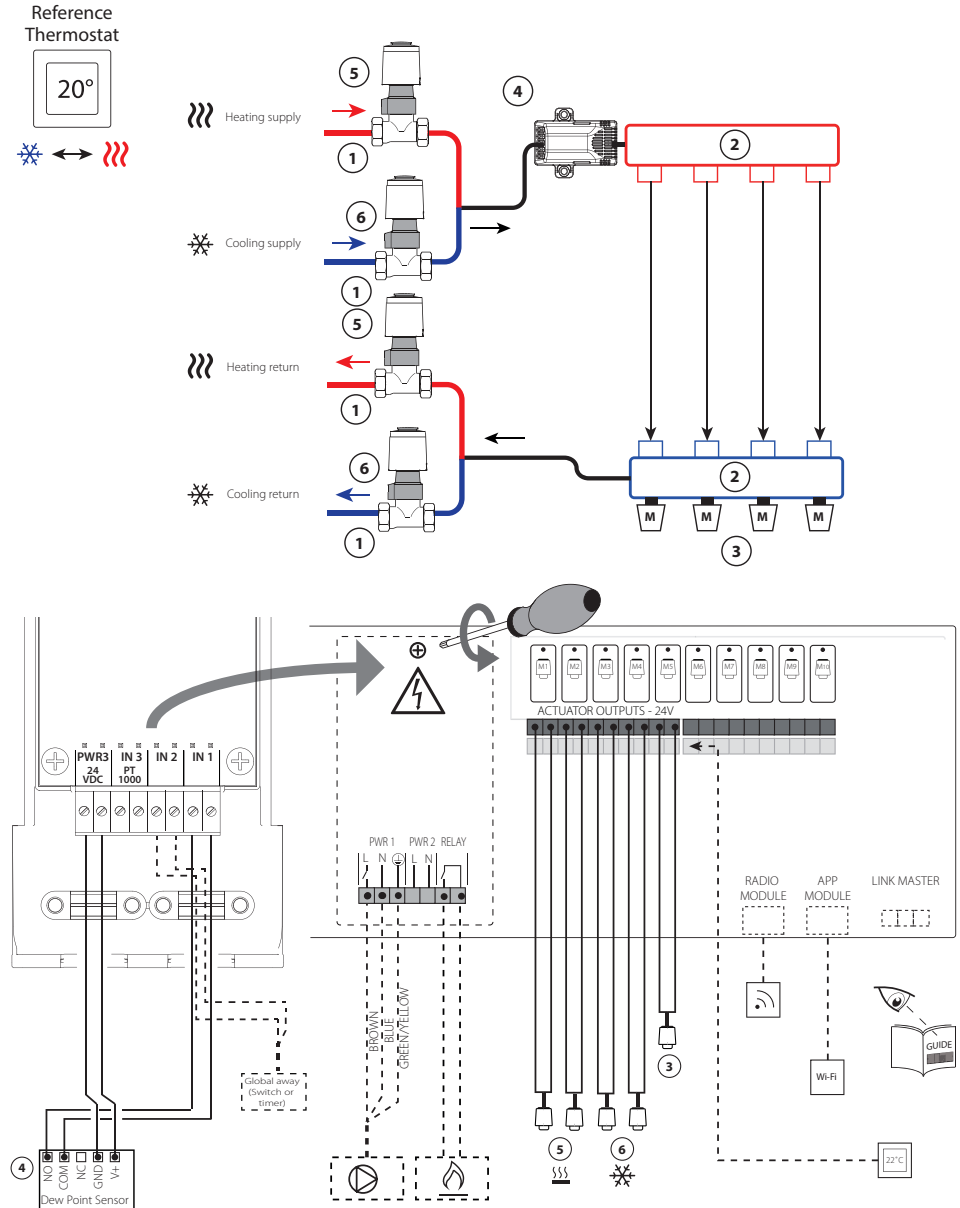
Application 0008



Application 0009



Application 0010



Heatup Sverige AB

A Odhners gata 41 • 421 30 Västra Frölunda • Sverige • Tel: +46 (0)10 480 86 00
info@heatup.se • www.heatup.se

Heatup can accept no responsibility for possible errors in catalogues, brochures and other printed material. Heatup reserves the right to alter its products without notice. This also applies to products already on order provided that such alterations can be made without subsequential changes being necessary in specifications already agreed. All trademarks in this material are property of the respective companies. Heatup and the Heatup logotype are trademarks of Heatup Sverige AB. All rights reserved.
